



Passenger Lift for Multi Passenger Vehicles,
mini- and midi buses and ambulances

DHOLLANDIA

DH-CH001.03 • 300 kg



The passenger lift DH-CH001 stows neatly in a sealed cassette box under the loading floor of the vehicle. This solution keeps the **access through the rear doors free** and **occupies no space inside the vehicle**.

The DH-CH is **retracted hydraulically**, the platform point, bridge plate and safety rails are deployed by hand.

Its slim platform (only 20 mm thick) enables wheelchair passengers to embark and disembark with minimal effort.

The cassette is equipped with a full width **aluminium step** with anti-slip profiling, helping operators to step in and out of the vehicle safely.



PREMIER TRUCK BODY

Phone: 604-607-1113

Fax: 604-856-1265

info@premiertruckbody.com

www.premiertruckbody.com

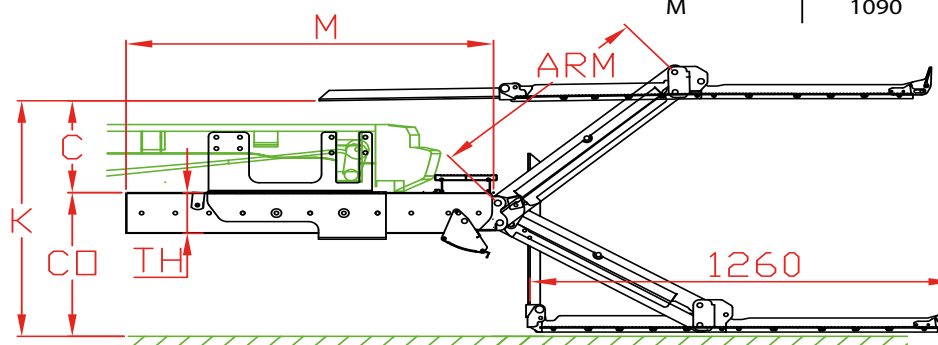
Creative Solutions for the Transportation Industry

Short cassette lift with foldable platform



Fitting dimensions

ARM	700
K max.	850
C max.	350
CO max.	500
TH	145
M	1090



Technical specifications

Lift frame	2 lift arms
Cylinders	2 lift cylinders + 2 fixed stabilisers
Retraction in / out	Hydromotor + gear wheel system
Type of ride [see pg. 8-9]	Flat platform, level ride
Platform details	<ul style="list-style-type: none"> • Steel frame + alu infill profiles • Automatic roll-stop at the rear edge of the platform • Bridge plate and toe-guard at the front edge of the platform
Safety rails	2, left & right, folding manually
Standard platform dimensions	1260 x 800 mm
Standard control unit	3-button remote control with spiral cable
Standard finish of the lift frame	KTL epoxy e-coating



PREMIER TRUCK BODY

Phone: 604-607-1113

Fax: 604-856-1265

info@premiertruckbody.com

www.premiertruckbody.com



DHOLLANDIA

Creative Solutions for the Transportation Industry