



→ Cantilever lift for trucks, trailers and semi-trailers

DHOLLANDIA

DH-LM.30 • 1500 - 3000 kg



The cantilever lift DH-LM.30 is a **powerful lift** for intensive, heavy duty tasks and “hostile environment” circumstances. It is ideal for the most demanding applications in the regular transport business, such as **supermarket & food distribution**.

The robust frame with reinforced articulation pins and larger cylinders is primarily designed for lift capacities of 2500 to 3000 kg, but is also available as upgraded 1500-2000 kg version.

The DH-LM.30 can be equipped with very long platforms (3000 mm long and even longer foldable platforms), hence it can easily form the rear closure of the vehicle body. The **DH-LMR** launched in 2014, is a quick-fit system with bolt-on clamps for trailer and semi-trailer chassis.



PREMIER TRUCK BODY

Phone: 604-607-1113

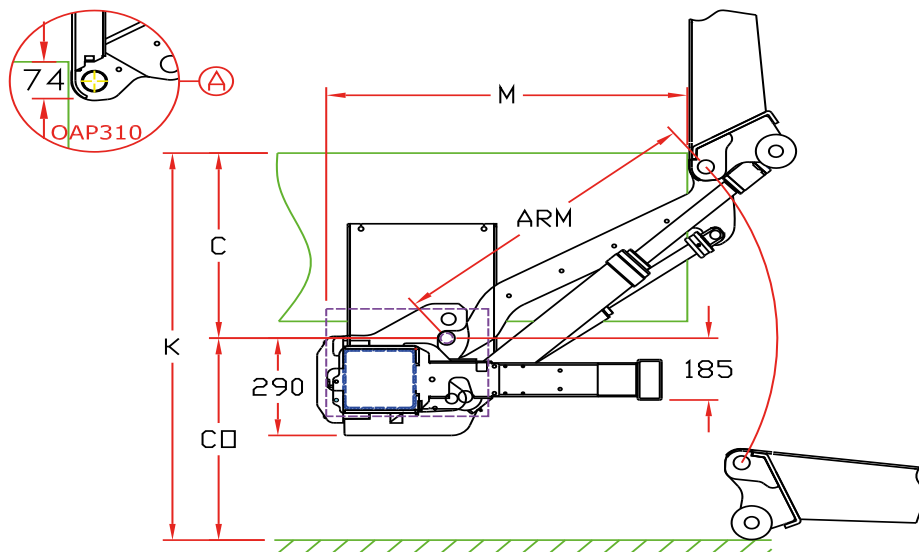
Fax: 604-856-1265

info@premiertruckbody.com

www.premiertruckbody.com

Creative Solutions for the Transportation Industry

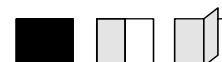
Powerful, robust lift for the intensive distribution



Fitting dimensions

ARM		820	880	940	1000	1100	1200
K max.		1330	1420	1500	1590	1730	1870
C max.		680	730	780	820	900	980
C min.		300	300	350	400	450	500
CO max.		650	690	720	770	830	890
M	at C max.	770	800	835	880	940	1000
M	At C min.	1030	1095	1140	1190	1275	1365

Technical specifications



Lift frame	180 x 180 mm
Cylinders	2 lift cylinders + 2 tilt cylinders
Type of ride [see pg. 8-9]	Weged platform. Level ride + automatic tilt at ground level
Platform material	Aluminium or steel
Platform overlap under floor	-74 mm
Standard platform depths	Steel: 1750 - 2000 mm (folding: max. 4500) Alu: 1800 - 2000 mm (folding: max. 4500)
Standard platform widths	Steel: 2350 - 2480 - 2500 - 2520 - 2550 mm Alu: free up to 2550 in steps of 5 mm
Lift arm lengths	820 - 880 - 940 - 1000 - 1100 - 1200 mm
Lift arm widths	800 - 1150 - 1300 - 1550 mm (...-2014) 800 - 1200 - 1300 - 1550 mm (2015-...)
Standard control unit [see pg. 11]	OAE030.BT
Standard finish of the lift frame	Hot-dip zinc plated finish [OAT104]



PREMIER TRUCK BODY

Phone: 604-607-1113

Fax: 604-856-1265

info@premiertruckbody.com

www.premiertruckbody.com



DHOLLANDIA

Creative Solutions for the Transportation Industry